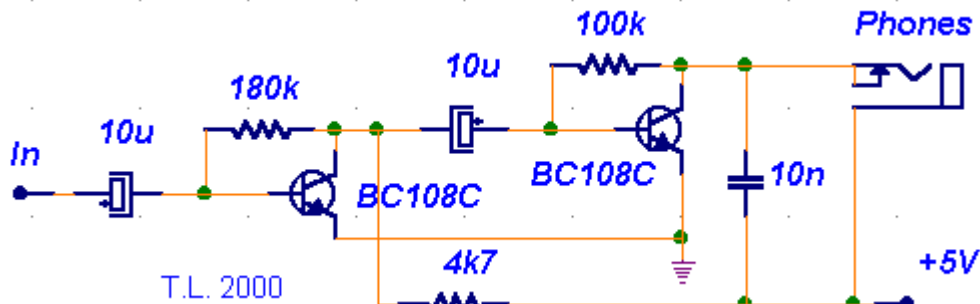


2-Transistor Audio Amplifier



Original source:

An old HAM handbook I found in the school library many years ago.

Description:

A simple two-stage amplifier. Use any general-purpose NPN with high gain. It will drive low impedance headphones directly. A speaker will probably require further boost.

Problems:

None. Just the power consumption is a little higher than I'd want.

Possible uses:

This is really more a learning block than anything else. In times of LM386 and other amplifier ICs, better alternatives exist.